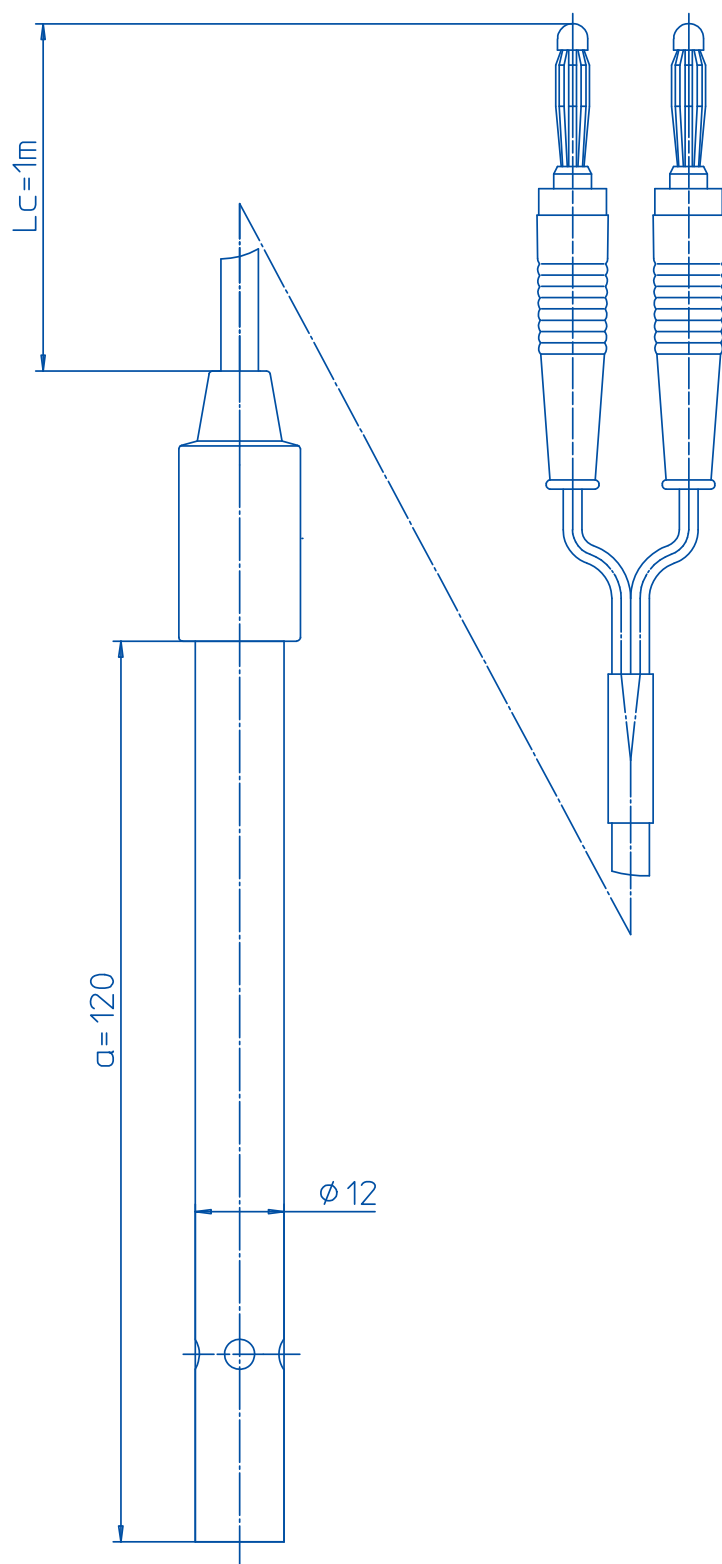


950-K19/120/1m/2x-27.4

general purpose

conductivity



**Order number** 59904438  
former order number 109503000

**Specifications**  
pH range -  
zero point (pH) -

temperature range 0 - 60 °C  
temperature probe -

shaft material polysulfone  
membrane glass -  
membrane resistance -

reference system -  
reference diaphragm -  
reference electrolyte -

bridge electrolyte -

electrode head -  
cable length 1.0 m  
connector 4 mm plugs

cell constant (cm<sup>-1</sup>) 1.0  
cell type 2 platinum poles

indicating metal -

**Storage** dry

Scale 1:1